

## ALUMINIUM BANNER STANDS

Maizey Plastics offers an extensive range of lightweight and easy to assembly banner stands for use in promotional campaigns, activations, shopping malls or conferences. Our banner products are complimented with our range of digital print media for perfect prints.

From non-curl PVC, PET or textiles, Maizey has a substrate to help communicate your marketing message.

### MULTI BANNER X-FRAME (STEEL)

Graphic Size (mm): 950 x 1650 / 650 x 1850

- 1.1 kg
- Lightweight and durable
- Suggested media: PVC Banner or Mesh, Textile, PET Film, PP film, Encapsulated Paper, Tyvek Banner and non-curl, unsupported PVC
- Use of eyelets recommended



### MULTI BANNER - X FRAME (PLASTIC)

Graphic Size (mm): 600 x 1600 | 800 x 1800

- 0.9kg | 1kg
- Lightweight and durable
- Consists of aluminium, fiberglass and plastic connectors
- Suggested media: PVC Banner or Mesh, Textile, PET Film, PP film, Encapsulated Paper, Tyvek Banner and non-curl, unsupported PVC
- Use of eyelets recommended



### ROLL-UP BANNER - V22 (Econo version of V23)

Graphic Size (mm):  
Banner: 850 x 2000 | To view: 850 x 1940

- 3.5kg
- Banner mechanism made of quality aluminium
- Lightweight, durable and portable
- Quick to assemble and erect
- Suggested Media: PVC Banner or Mesh, Textile, PET Film, PP film, Encapsulated Paper, Tyvek Banner and non-curl, unsupported PVC (MAX 450 grams PVC Banner - heavier gauge materials NOT recommended)





## POINT OF SALE PRODUCTS

### ROLL-UP BANNER - E TYPE

---

Unit Size (mm): 850 x 2000  
Graphic Size (mm): 850 x 1970

- 1.6kg
- Lightweight, durable and portable
- Consists of aluminium base with plastic end caps
- Quick to assemble and erect
- Suggested Media: PVC Banner or Mesh, Textile, PET Film, PP film, Encapsulated Paper, Tyvek Banner and non-curl, unsupported PVC (MAX 450 grams PVC Banner - heavier gauge materials NOT recommended)



### DISPLAY BANNER - GS901

---

Unit Size (mm): 850 x 2081  
Graphic Size (mm): Springs: 750 x 1900 | Pocket: 850 x 2040

- 2.6kg
- Made of durable aluminium profiles
- Lightweight and portable with foldable base
- Quick to assemble and erect
- For single or double sided display
- When using the spring option a 12 diameter eyelet is recommended
- Suggested Media: PVC Banner or Mesh, Textile, PET Film, PP film, Encapsulated Paper, Tyvek Banner, non-curl, unsupported PVC and rigid substrates such as Acrylic.

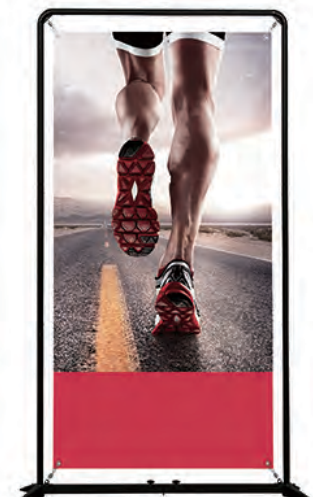


### DISPLAY BANNER STAND - GS912

---

Unit Size (mm): 1200 x 2300  
Graphic Size (mm): Springs: 1045 x 2050 | Pocket: 1200 x 2260

- 3.5kg
- Made of durable aluminium profiles
- Lightweight and portable with foldable base
- Quick to assemble and erect
- For single or double sided display
- When using the spring option a 12 diameter eyelet is recommended
- Suggested Media: PVC Banner or Mesh, Textile, PET Film, PP film, Encapsulated Paper, Tyvek Banner, non-curl, unsupported PVC and rigid substrates such as Acrylic.



### POSTER BANNER - GS9012N

Unit Size (mm): 2900 x 2300  
 Graphic Size (mm): 2900 x 2260  
 Spring (mm): 2760 x 2160

- 5,8kg
- Made of durable aluminium profiles
- Lightweight and portable with foldable feet
- For indoor use
- Quick to assemble and erect
- Double sided display
- When using the spring option a 12 diameter eyelet is recommended
- Suggested Media: Textiles, Tyvek Banner and non-curl, unsupported PVC
- Bag included



### POSTER BANNER - GS921N

Unit Size (mm): 1670 x 460  
 Graphic Size (mm): 594 x 841 (A1)

- 3kg
- Made of durable aluminium profiles
- Lightweight and portable with foldable feet
- For indoor use
- Quick to assemble and erect
- For single or double sided displays
- Suggested Media: Lightweight rigid substrate up to 12mm thickness for example M-Foam, KapaTex, Smart X, ABS, Foamalite, Dispa, KapaPlast, Foam X
- Bag included



### POSTER BANNER - GS923

Unit Size (mm): 1630 x 110mm  
 Graphic Size (mm): 841 x 1189 (A0)

- 3kg
- Made of durable aluminium profiles
- Lightweight and portable with foldable feet
- For indoor use
- Quick to assemble and erect
- For single or double sided display
- Suggested Media: Lightweight rigid substrate up to 12mm thickness for example M-Foam, KapaTex, Smart X, ABS, Foamalite, Dispa, KapaPlast, Foam X
- 2 A4 brochure holders and bag included





## POINT OF SALE PRODUCTS

### BANNER CLIP

Unit Size (mm): 600 | 900 | 1200

- Made of durable aluminium and plastic endcaps
- A set contain: Top clip for banner and suspension hooks  
Bottom clip for support and flatness of banner
- Quick to assemble and erect
- For indoor displays - single or double sided applications
- Suggested Media: PVC Banner or Mesh, Textile, PET Film, PP film, Encapsulated Paper, Tyvek Banner and non-curl, unsupported PVC.  
(MAX 450 grams PVC Banner - heavier gauge materials NOT recommended)



### POSTER HANGER

Unit Size: 3m lengths

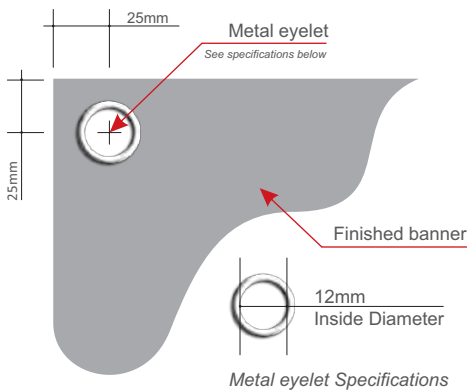
Spare Parts: 4 end caps & 2 hanging hooks

- Made of durable aluminium and plastic endcaps
- Can be suspended at the top or both top and bottom of banner
- Quick to assemble and erect - image slides into aluminium profile
- For indoor displays - single or double sided applications
- Suggested Media: PVC Banner or Mesh, Textile, PET Film, PP film, Encapsulated Paper, Tyvek Banner and non-curl, unsupported PVC.  
(MAX 450 grams PVC Banner - heavier gauge materials NOT recommended)



### NOTES :

#### Multi Banner Eyelet position specifications



\* Units sold separately no banners/posters included.

#### Roll-up banner specifications

\* Always ensure that there is a minimum of 50mm text bleed to the inside of your banner.

